

Antenna Installation Instructions

Part Number: HW4X-26.5D-HP

Description



This antenna consists of a 0.52m (1.8 ft) reflector, feeder and antenna mounting bracket. The mounting bracket is designed for installation on vertical pipe of diameter 35mm to 75mm. The precise antenna mounting bracket provides adjustment ranges of $\pm 30^\circ$ elevation.

Notice

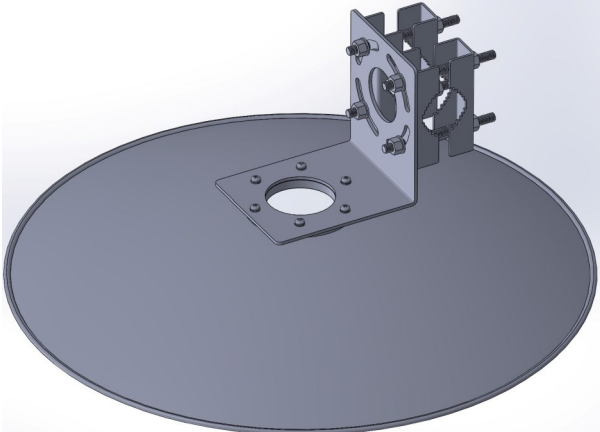
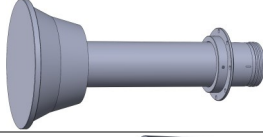
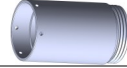
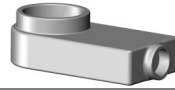



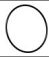
The installation, maintenance or removal of antenna systems requires qualified, experienced personnel. This installation instructions have been written for such personnel. Antenna systems should be inspected once a year by qualified personnel to verify proper installation, maintenance, and condition of equipment.

Honorwave disclaims any liability or responsibility for the results of improper or unsafe installation practices.

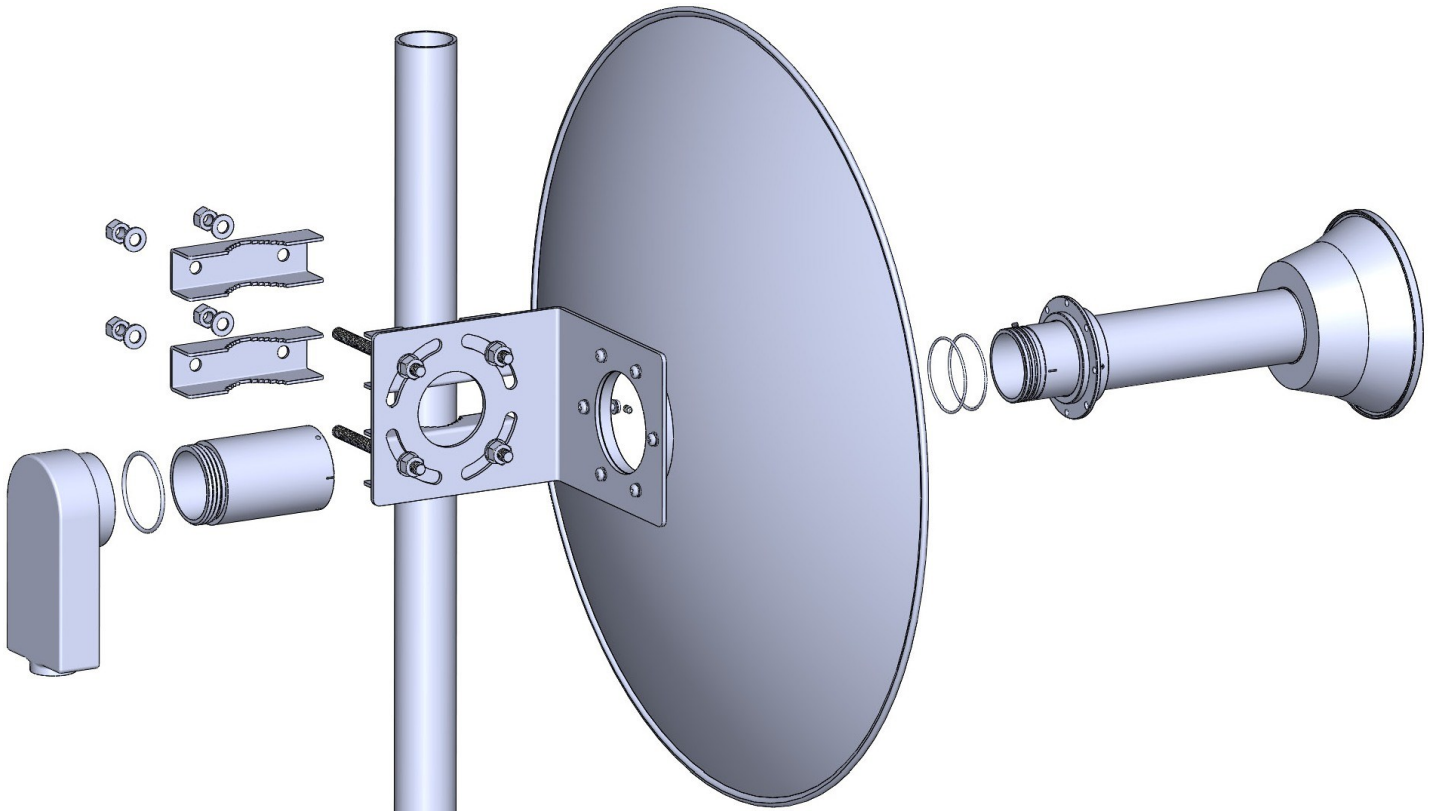
Tools Required

Item	Contents	Qty	Image
1	Combination Wrench, 13mm	1	
2	Screwdriver, cross-recess	1	

Part List

Item	Contents	Qty	Description / Image
A	Reflector 0.52m & Mounting	1	
B	Feeder	1	
C	Transition	1	
D	Radio C5X	1	
E	Screw M4x12, Cross, st	4	
F	Spring Washer M4, st	4	
G	Washer M4, st	4	
H	Screw M4x4, Allen, st	1	
I	Oring 2.5x50	1	
J	Oring 1.5x48	2	
K	Installation Guide	1	

Installation



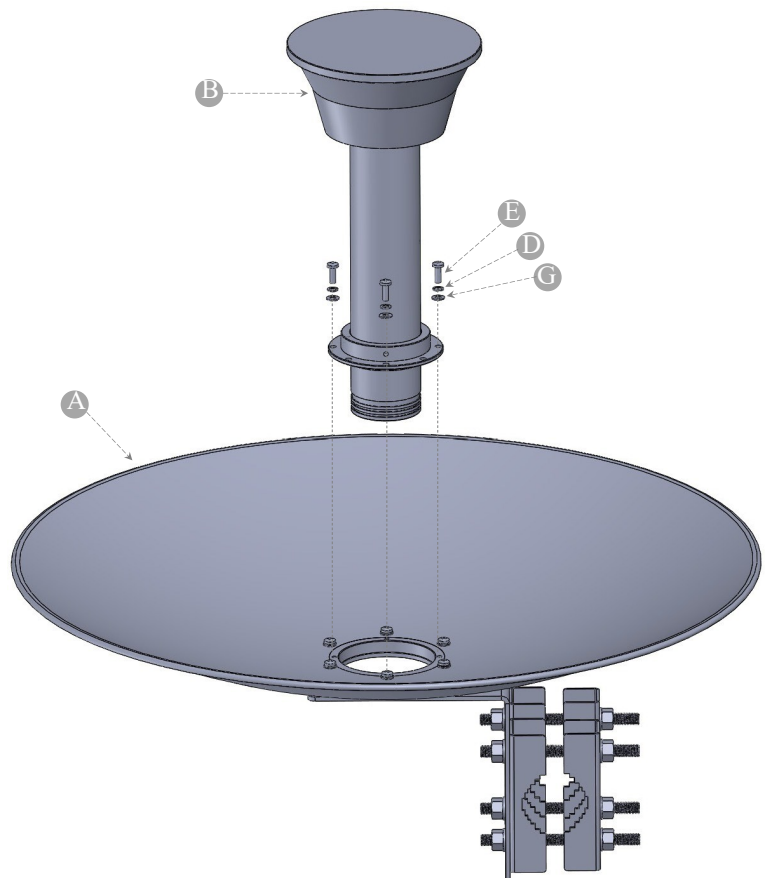
1 Install Feed to Reflector

Install Feed [B] to Reflector [A] by:

[E] Screw M4x12; 4 pcs

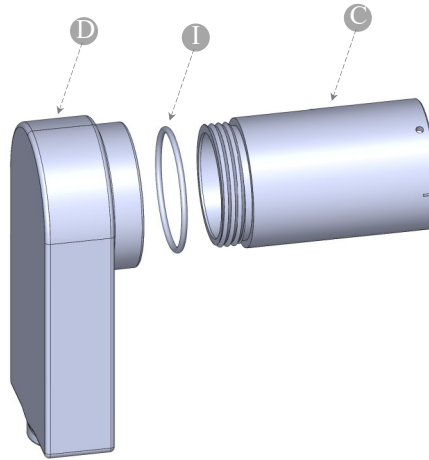
[F] Spring Washer M4; 4 pcs

[g] Washer M4; 4 pcs



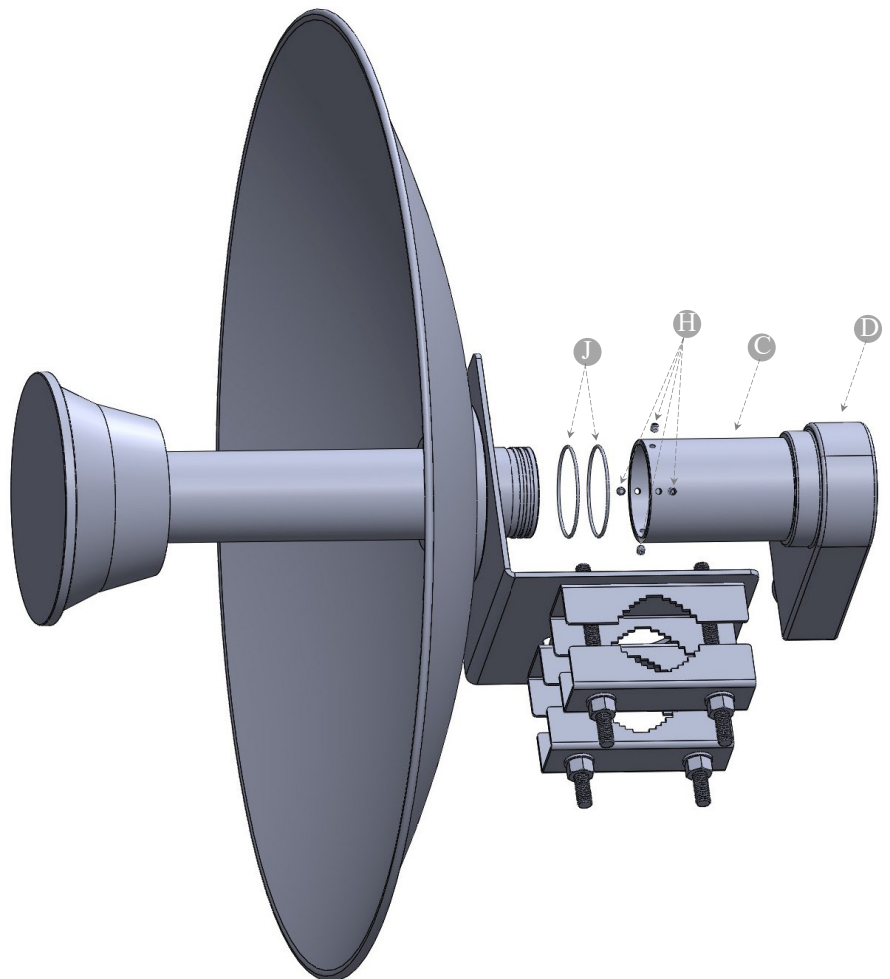
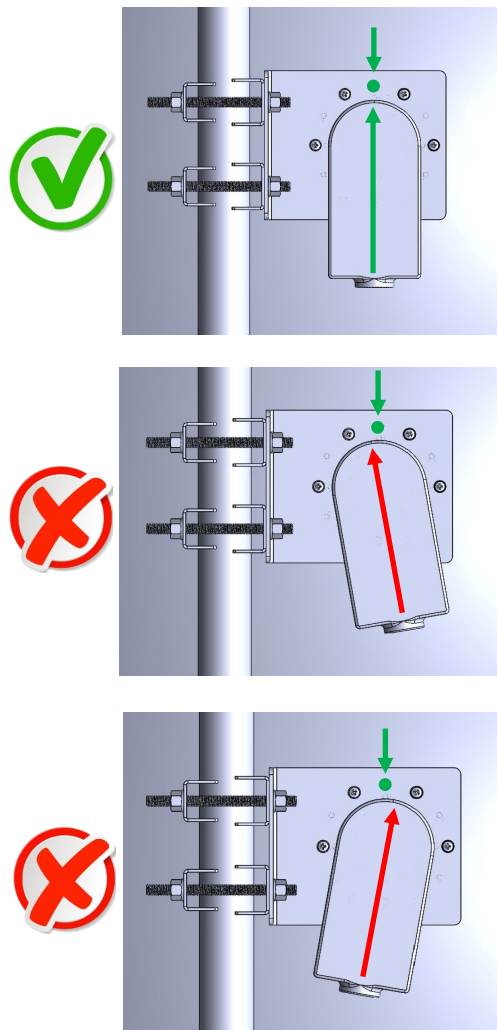
2 Attach Transition to Radio

Install Transition [C] to Radio [D] by:
[I] Oring 2.5x50; 1 pcs



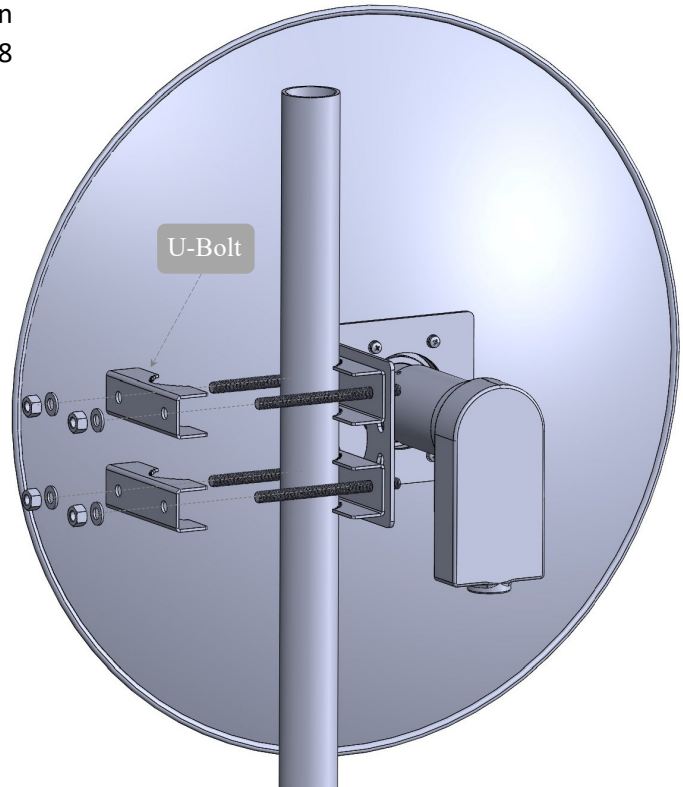
3 Adjust Radio to Antenna

Install Transition [C] & Radio [D] to Feed [B] by:
[H] Screw M4x4, Allen; 4 pcs
[J] Oring 1.5x48; 2 pcs



4 Attach Antenna to Mounting Pole

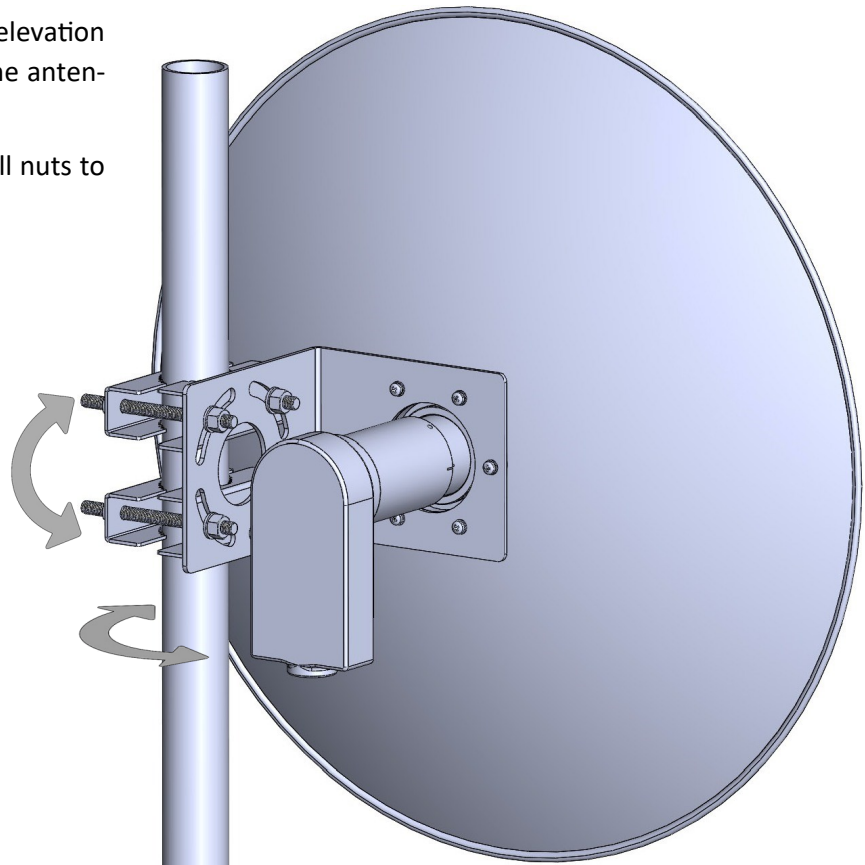
Follow the picture to attach antenna to mounting pole then place the U-bolts on the M8x120 Screws and tighten M8 nuts.



5 Adjust Azimuth and Elevation

After an approximate alignment, both elevation and azimuth can be adjusted by rotating the antenna.

When azimuth/elevation are set, tighten all nuts to approximately 14N-m (10 lb-ft).



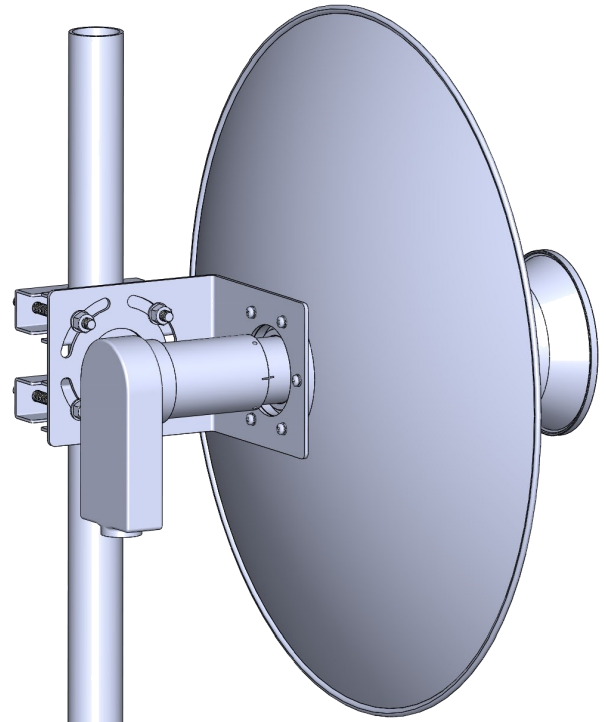
TECHNICAL DATA SHEET

General Specifications

Model Number	HW4X-26.5D-HP
Diameter (ft/m)	1.8/0.55
Polarization	Dual-slant 45°

Electrical Specifications

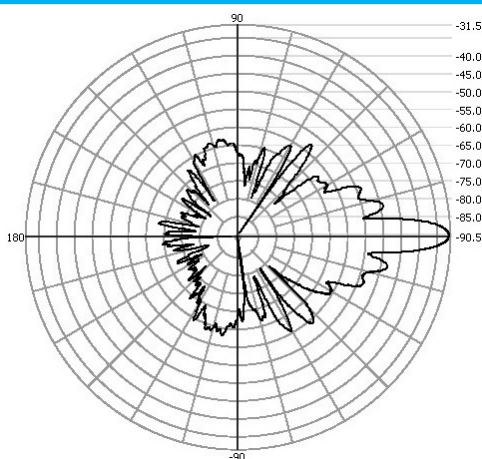
Input	Twist on
Frequency Range	4.5 GHz up to 5GHz ISM Band
VSWR	1.4:1
Impedance (Ω)	50
Gain (dBi)	26.5
3dB Beamwidth	H-plane: 6.2° / E-plane: 6.2°
F/B Ratio (dB)	30



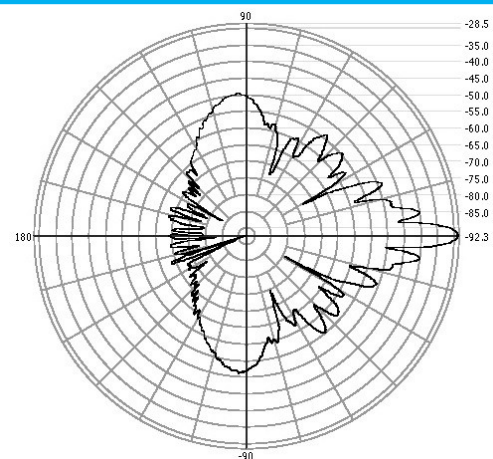
Mechanical Specifications

Weight With Holder (kg)	3
Color	Golden
Plating	Dacromet
Screws and Nuts	Dacromet
Elevation Adjustment	$\pm 30^\circ$
Wind Loading (km/h)	200
Operating Temperature	-40 °C to 60 °C
Supportable Comparative Damp	90%

Patterns



E-Plane



H-Plane

For further technical support leave message at

E-mail: support@honorwave.com

whatsapp: +964 770 607 7724 8 A.M - 5 P.M (GMT+3)

All messages will be answered in 2 working days.