

## TECHNICAL DATA SHEET

### General Specifications

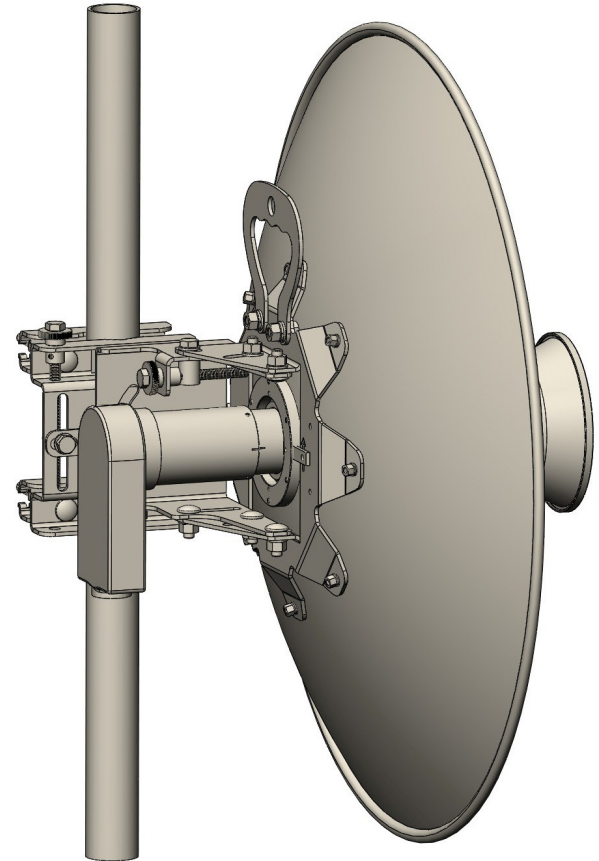
Model Number	HW4X-28.5D-HP
Diameter (ft/m)	2/0.6
Polarization	Dual-slant 45°

### Electrical Specifications

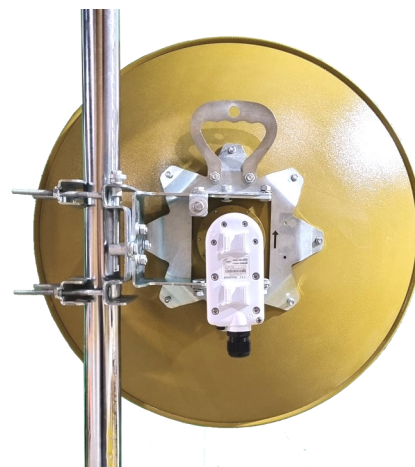
Input	Twist on
Frequency Range	4.5 GHz up to 5GHz ISM Band
VSWR	1.4:1
Impedance ( $\Omega$ )	50
Gain (dBi)	28.5
3dB Beamwidth	H-plane: 5.4° / E-plane: 5.4°
F/B Ratio (dB)	38

### Mechanical Specifications

Weight With Holder (kg)	5
Color	Golden
Plating	Dacromet
Screws and Nuts	Dacromet
Fine Azimuth Adjustment	$\pm 11^\circ$
Fine Elevation Adjustment	$\pm 19^\circ$
Wind Loading (km/h)	200
Operating Temperature	-40 °C to 60 °C
Supportable Comparative Damp	90%



### Pictures



For further technical support leave message at

E-mail: [support@honorwave.com](mailto:support@honorwave.com)

whatsapp: +964 770 607 7724 8 A.M - 5 P.M (GMT+3)

All messages will be answered in 2 working days.